

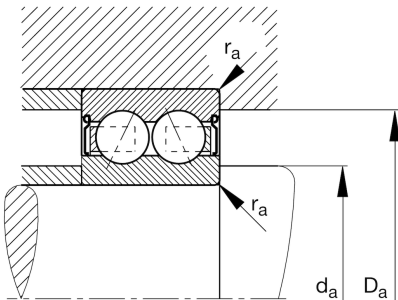
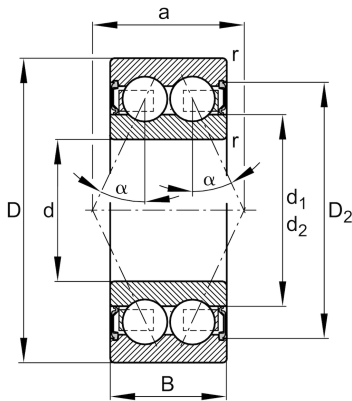
3005-2RS

Angular contact ball bearing

Schaeffler ID:
0009589480000

Angular contact ball bearing 30..-B-2RS-TVH, double row, seals, plastic cage

Technical information



Main Dimensions & Performance Data

d	25 mm	Bore diameter
D	47 mm	Outside diameter
B	16 mm	Width
C_r	15,200 N	Basic dynamic load rating, radial
C_{0r}	10,900 N	Basic static load rating, radial
C_{ur}	570 N	Fatigue load limit, radial
n_G	8,800 1/min	Limiting speed
	0.107 kg	Weight

Dimensions

r_{min}	0.6 mm	Minimum chamfer dimension
D_2	41.8 mm	Caliber diameter outer ring
d_2	30.3 mm	Caliber diameter inner ring
a	23.4 mm	Distance between the apexes of the pressure cones
α	25 °	Contact angle

Mounting dimensions

$d_{a\ min}$	28.2 mm	Minimum diameter shaft shoulder
$D_{a\ max}$	43.8 mm	Maximum diameter of housing shoulder
$r_{a\ max}$	0.6 mm	Maximum fillet radius

Temperature range

T_{min}	-20 °C	Operating temperature min.
T_{max}	100 °C	Operating temperature max.